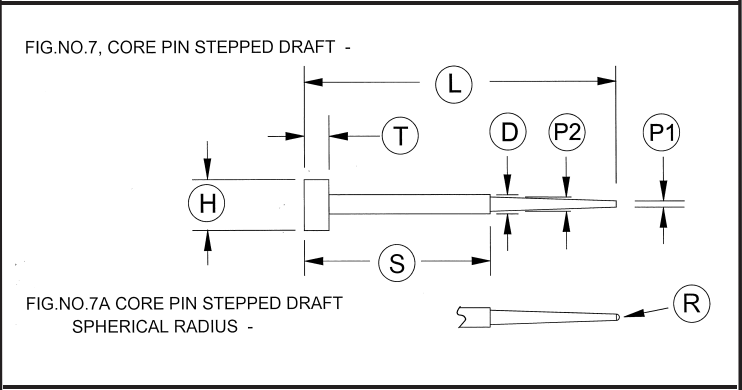
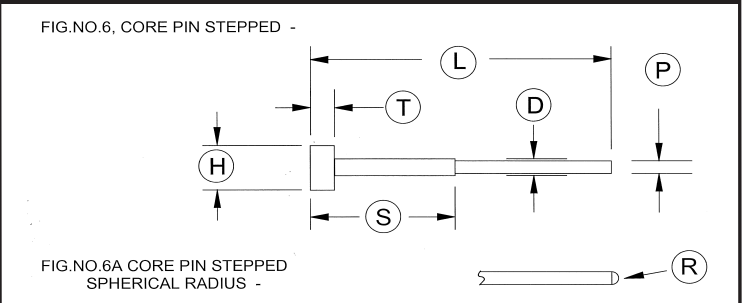
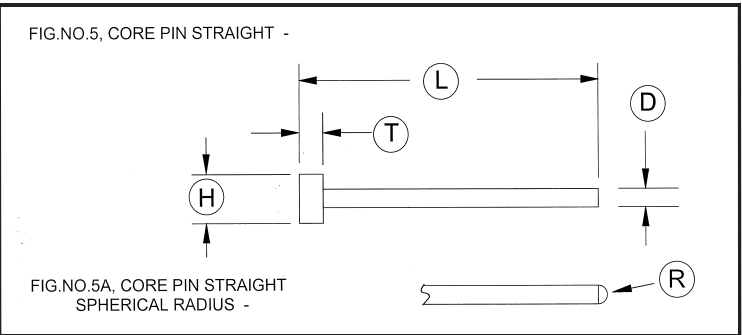
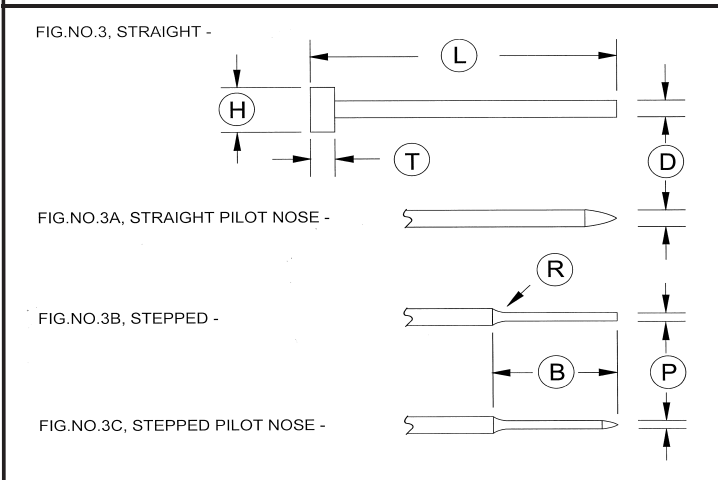
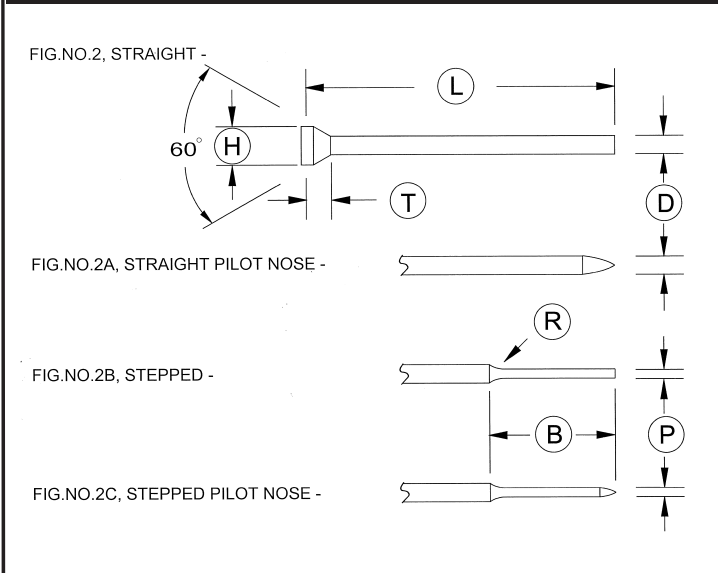
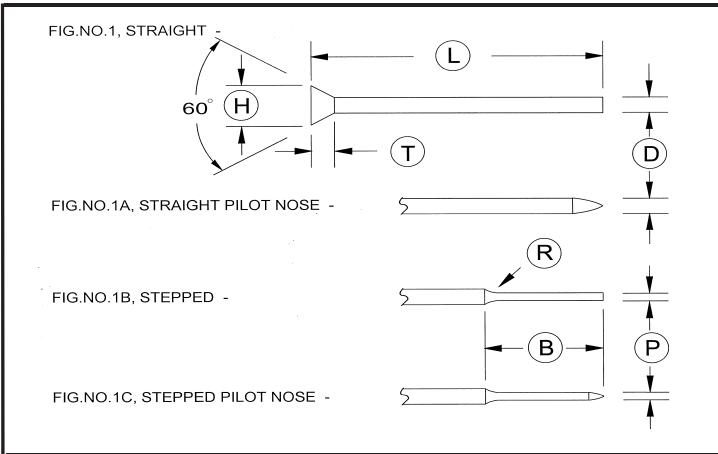


WORKSHEET MASTER COPY

Special Punches and Perforators

Core Pins



Please specify required tolerances on all dimensions

FIG. _____ QTY. _____

MATL. _____ HARD/ RC _____

Modify Standard Catalog No. _____

COMMENTS: _____

DIM.	SIZE	TOL.	DIM.	SIZE	TOL.
D			P		
H			P1		
T			P2		
L			B		
S			R		

Company Name _____
 Address _____
 City, State, Zip _____
 Phone _____ Fax _____
 Contact _____
 E-Mail Address _____
 Reference: Request for Quote No. _____

YOUR LOCAL DISTRIBUTOR.

SALES REPRESENTATIVE

Royal

ROYAL DIVERSIFIED PRODUCTS, INC.
 287 MARKET ST. PO BOX 444, WARREN, RI 02885.
 PHONE (401) 245-6900

FAX (401) 247-2231