

# MQA AND MQB TYPES



**Royal**

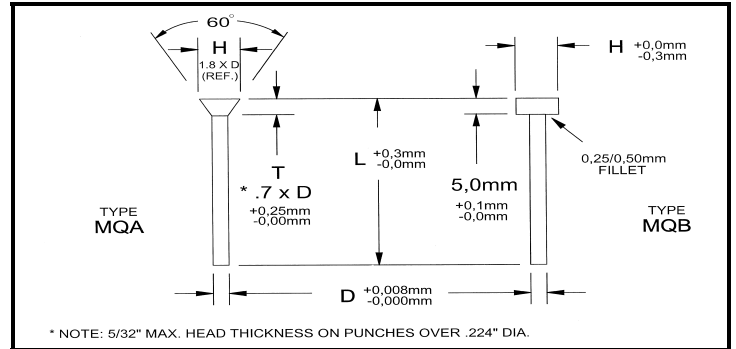
## METRIC PERFORATORS/CORE PIN BLANKS

M-2 HIGH SPEED STEEL, 60-63 RC  
PRECISION FORM-GROUND DIAMETERS

MADE TO ORDER  
IN 0.01 mm INCREMENTS  
10 PIECES MINIMUM

HOW TO ORDER: EXAMPLES				
Qty.	Type	Dia.	X	Length
50	MQA	0.95	X	63
25	MQB	6.55	X	63

63mm Length



D DIAMETER RANGE MADE TO ORDER IN 0.01mm INCREMENTS	NET PRICE EACH PER QUANTITY (US \$)								MQB TYPE
	MQA				MQB				H
	100+	50-99	25-49	10-24	100+	50-99	25-49	10-24	
0.80mm - 1.60mm	2.11	2.69	3.57	5.92	3.19	3.89	5.23	9.68	3
1.61mm - 2.00mm	2.24	2.80	3.70	6.06	3.57	4.34	5.81	10.70	4
2.01mm - 3.00mm	2.49	3.06	4.08	6.31	3.57	4.34	5.81	10.70	5
3.01mm - 4.00mm	2.61	3.19	4.20	6.44	3.76	4.59	6.11	11.34	6
4.01mm - 5.00mm	2.87	3.51	4.39	6.81	3.89	4.71	6.31	11.73	7
5.01mm - 6.00mm	3.26	3.89	4.78	7.20	3.89	4.71	6.31	11.73	8
6.01mm - 7.00mm	3.57	4.27	5.17	7.64	4.08	4.97	6.69	12.35	9

# MPB TYPE



**Royal**

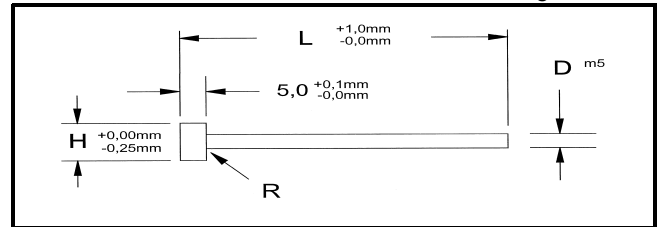
## METRIC PUNCH BLANKS

M-2 HIGH SPEED STEEL, RC 60-63  
HEADS DRAWN 45-55 RC

MADE TO ORDER  
10 PIECES MINIMUM

HOW TO ORDER: EXAMPLES			
QTY.	CAT No	X	LENGTH
50	MPB-3	X	63

50, 56, 63, 71, 80, 90, 100, and 125mm Lengths



CATALOG NUMBER	D BODY DIA.		H HEAD DIA.	NET PRICE EACH PER QUANTITY (US \$)											
	NOMINAL DIA.	m <sup>5</sup> TOLERANCE		L-LENGTH											
				50, 56, & 63 mm			71 & 80 mm			90 & 100 mm			125 mm		
				50 +	25-49	10-24	50 +	25-49	10-24	50 +	25-49	10-24	50 +	25-49	10-24
MPB-3	3	+ 0,009 + 0,004	5.0	5.90	6.55	7.29	6.57	7.31	8.12	8.22	9.14	10.13	Q	Q	Q
MPB-4	4	+ 0,009 + 0,004	7.0	6.03	6.71	7.44	6.88	7.63	8.47	8.77	9.75	10.84	10.42	11.57	12.85
MPB-5	5	+ 0,009 + 0,004	8.0	7.00	7.78	8.64	7.55	8.38	9.31	8.64	9.60	10.67	10.53	11.70	13.00
MPB-6	6	+ 0,009 + 0,004	9.0	8.09	8.99	10.00	8.55	9.38	10.48	8.89	9.88	10.98	11.80	13.10	14.55
MPB-8	8	+ 0,012 + 0,006	11.0	8.57	9.53	10.58	8.88	9.95	11.25	9.31	10.34	11.51	12.16	13.50	15.00

Please see PAGE 1 for a complete list of modifications that are available for any of the ROYAL Family of Pins and Punches