



PERFORATORS/CORE PIN BLANKS

M-2 HIGH SPEED STEEL, 60-63 RC

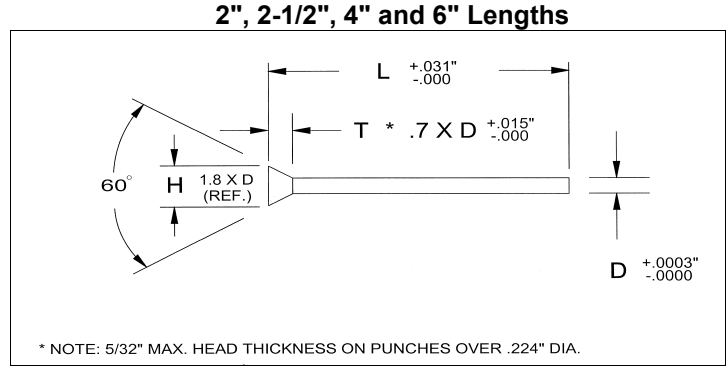
PRECISION FORM-GROUND

DIAMETERS IN .001" OR .0001" INCREMENTS

The following fractional diameters are included in the .001" increment price tables below: 1/32, 3/64, 1/16, 5/64, 3/32, 7/64, 1/8, 9/64, 5/32, 3/16, 7/32, 1/4, 9/32, 5/16, & 3/8.

HOW TO ORDER: EXAMPLES				
Qty.	Type	Dia.	X	Length
25	RQA	.1875	X	4
50	RQA	.197	X	2-1/2

D DIAMETER .001" INCREMENTS	NET PRICE EACH PER QUANTITY (US \$)				
	L - LENGTH				
	2"				
	50-99	25-49	10-24	5-9	1-4
.010 - .014	3.73	3.99	4.28	5.58	6.69
.015 - .019	3.12	3.33	3.55	4.65	5.58
.020 - .029	2.49	2.66	2.85	3.75	4.49



Q = Price Per Quotation

D DIAMETER .001" INCREMENTS	NET PRICE EACH PER QUANTITY (US\$)														
	L - LENGTH														
	2-1/2"					4"					6"				
	50-99	25-49	10-24	5-9	1-4	50-99	25-49	10-24	5-9	1-4	50-99	25-49	10-24	5-9	1-4
.030 -.055	1.98	2.11	2.29	2.98	3.59	Q	Q	Q	Q	Q	Q	Q	Q	Q	Q
.056 -.087	2.14	2.27	2.44	3.17	3.82	4.61	4.92	5.28	7.97	12.85	8.36	8.90	9.55	12.42	17.31
.088 -.131	2.38	2.53	2.73	3.57	4.27	4.25	4.53	4.85	7.52	12.40	7.99	8.52	9.13	11.98	16.86
.132 -.179	2.49	2.66	2.85	3.75	4.49	4.37	4.64	5.01	7.67	12.56	8.12	8.63	9.27	12.13	17.01
.180 -.225	2.88	3.07	3.28	4.29	5.14	4.76	5.06	5.40	8.10	12.97	8.47	9.03	9.70	12.58	17.46
.226 -.250	3.26	3.46	3.71	4.85	5.82	5.10	5.45	5.84	8.54	13.43	8.85	9.44	10.11	13.02	17.89
.251 -.336	3.64	3.86	4.15	5.42	6.50	5.50	5.83	6.26	8.98	13.86	9.25	9.83	10.57	13.49	18.37
.337 -.375	3.95	4.19	4.49	5.87	7.05	5.81	6.18	6.63	9.37	14.25	9.54	10.18	10.91	13.85	18.73
	STANDARD					NON-STANDARD									

DIAMETERS IN .0001" INCREMENTS MADE TO ORDER	SETUP CHARGE - ADD TO STANDARD PRICE		
	2-1/2"	4"	6"
	\$25.00		\$45.00

QUANTITY DISCOUNTS	
Based on one size, one shipment and one destination	
100 Pcs.....50 Pc. Price Less 7%	Over 300 Pieces..... Call For Pricing

Please see PAGE 1 for a complete list of modifications that are available for any of the ROYAL Family Of Pins and Punches